



STEEL MODULAR GEARBOX CABINET

Assembly Instructions

TABLE OF CONTENTS

CABINET/LOCKER SAFETY2
PARTS2
ASSEMBLY INSTRUCTIONS3
 Cabinet Use Requirements3
 Unpack Cabinet Parts3
 Assemble Cabinet.....3
 Attach Lower Back Panel3
 Install Leveling Legs4
 Assemble Drawer.....4
 Attach Upper Back Panel4
 Install Door Latch Bar5
 Install Shelf.....5
 Install Doors5
 Complete the Assembly5
ACCESSORIES.....6
WARRANTY6

IT'S TIME TO RETHINK THE GARAGE.®

CABINET/LOCKER SAFETY

Your safety and the safety of others are very important.

We have provided many important safety messages in this manual and on your appliance. Always read and obey all safety messages.



This is the safety alert symbol.

This symbol alerts you to potential hazards that can kill or hurt you and others.

All safety messages will follow the safety alert symbol and either the word "DANGER" or "WARNING."

These words mean:

⚠ DANGER

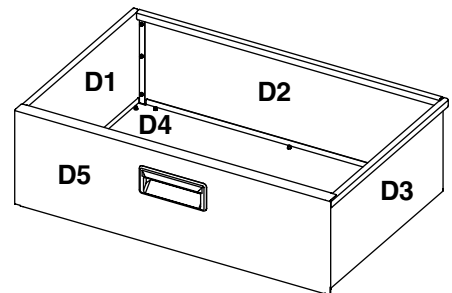
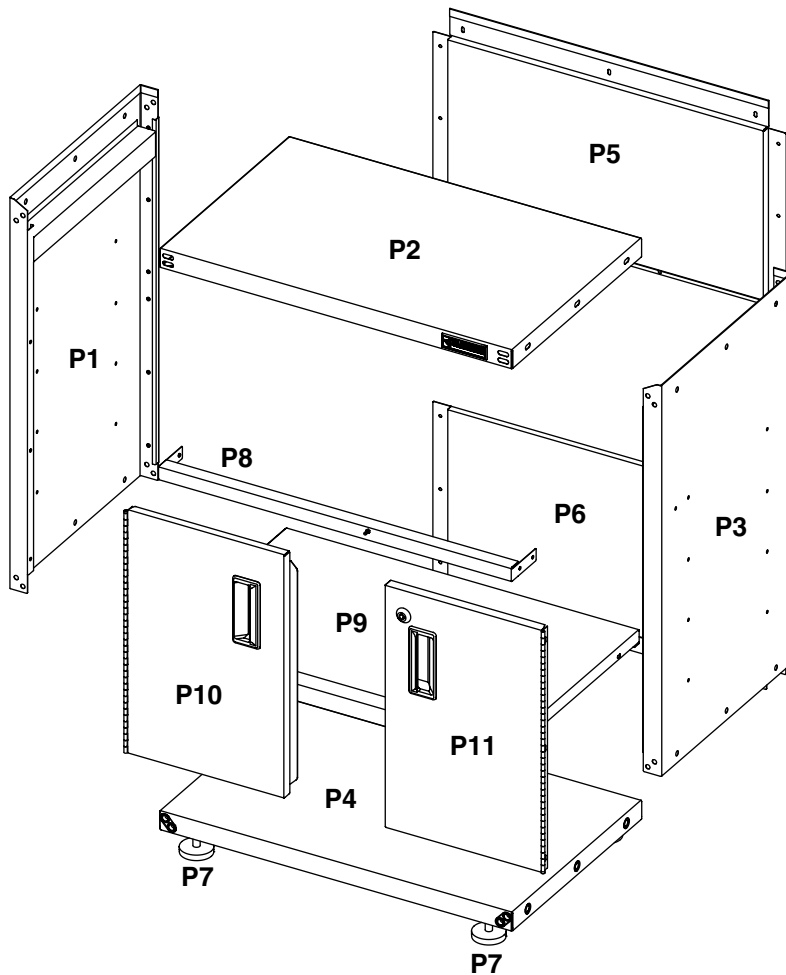
You can be killed or seriously injured if you don't immediately follow instructions.

⚠ WARNING

You can be killed or seriously injured if you don't follow instructions.

All safety messages will tell you what the potential hazard is, tell you how to reduce the chance of injury, and tell you what can happen if the instructions are not followed.

PARTS



F1



F2



F3



F4



F5



F6



F7

ASSEMBLY INSTRUCTIONS

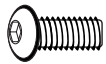
Cabinet Use Requirements

- Intended for use in a garage.
- Maximum weight limit is 45 lbs (20 kg) for the shelf.
- Maximum weight limit is 30 lbs (13 kg) for the drawer.
- Maximum weight limit is 300 lbs (136 kg) for the cabinet.

Unpack Cabinet Parts

1. Remove and verify the contents. See "Parts."
2. Dispose of/recycle all packaging materials.

Assemble Cabinet



F1



F2

F1 5/16" Allen-head bolt (28)

F2 5/16" Flange nut (14)

⚠ WARNING

Excessive Weight Hazard

Use two or more people to move, assemble or install cabinet or locker.

Failure to do so can result in back or other injury.

IMPORTANT:

- Use two or more people to assemble the cabinet.
- As you assemble the cabinet, make sure the edges with the holes are facing up.

Gather the required tools before starting installation.

Tools Needed:

- 1/2" Wrench
- 3/8" Wrench
- 11/32" Wrench
- Phillips screwdriver
- Pliers

Tools Supplied:

- Allen wrench
- Key

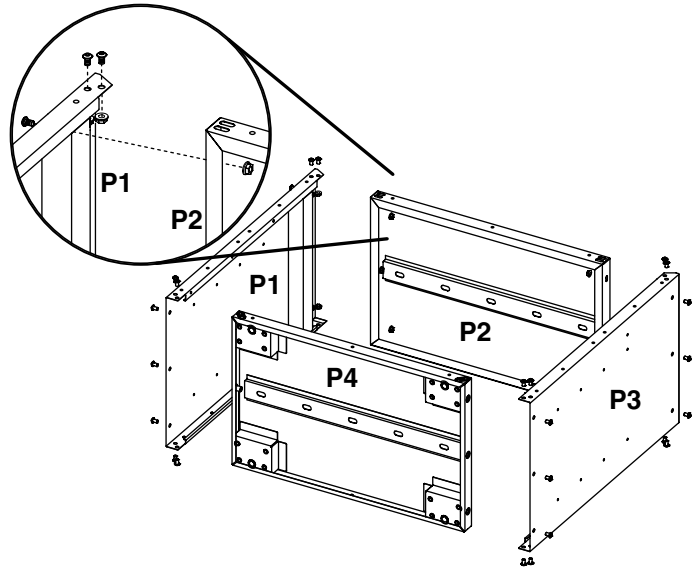
1. Place side panel (P1) on a flat, firm surface so that the edge with the holes is facing up as shown.
2. Insert the cabinet top (P2) between the edges of the side panel (P1).

NOTE: Make sure the edges with the holes are facing up.

3. Align the holes and attach the top (P2) to the side (P1) using seven Allen-head bolts (F1) and 5/16" flange nuts (F2) as shown. Do not tighten completely.
4. Position side panel (P3) so that the top (P2) is between the edges of side panel (P3).
5. Align the holes and attach the top (P2) to the side (P3) using seven Allen-head bolts (F1) and 5/16" flange nuts (F2) as shown. Do not tighten completely.
6. Insert cabinet bottom (P4) between the edges of side panels (P1 and P3).

NOTE: Make sure the edges with the holes are facing up.

7. Align the holes and attach the bottom (P4) to the side panels (P1 and P3) using seven Allen-head bolts (F1) for each side as shown. Do not tighten completely.



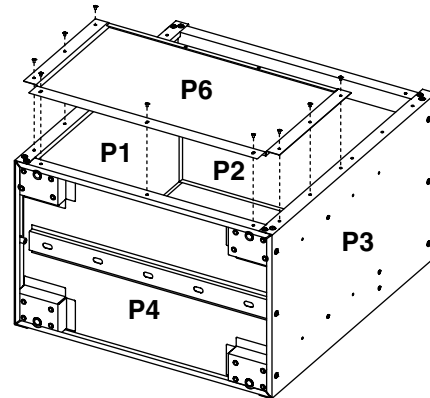
Attach Lower Back Panel



F3

F3 Phillips-head screw (9-black)

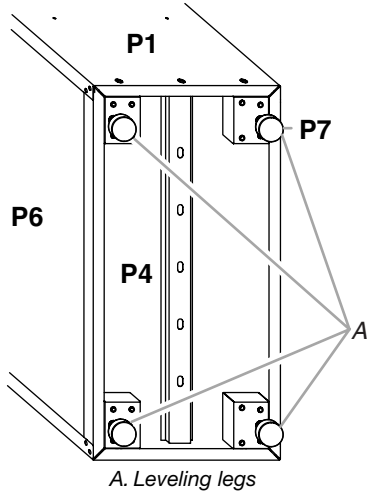
1. Using nine Phillips-head screws (F3), attach the lower back panel (P6) to the bottom (P4) and sides (P1 and P3) as shown. Tighten screws completely.
2. Using the Allen wrench (provided), completely tighten all the cabinet bolts and nuts.



Install Leveling Legs

The Gladiator® Modular GearBox is designed to be either stationary or to roll on casters. To order the Gladiator® Steel Modular GearBox Caster Kit, see “Accessories.”

1. Place the cabinet on its side.
2. Screw a leveling leg (P7) into each of the four rivet nuts located at the corners of the cabinet as shown.



3. Stand the cabinet upright.

Assemble Drawer

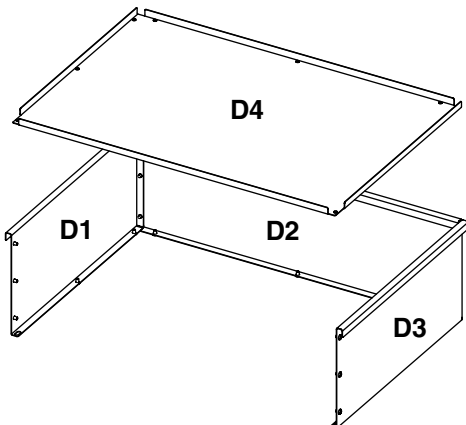


F7

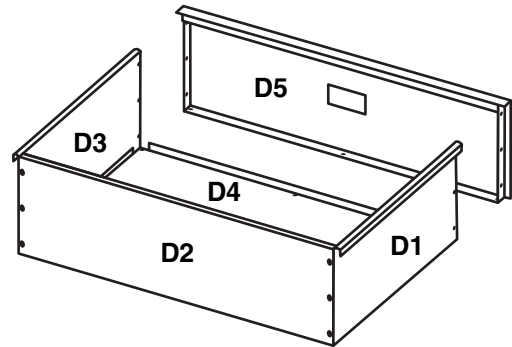
F7 Phillips-head screw (22-silver)

IMPORTANT:

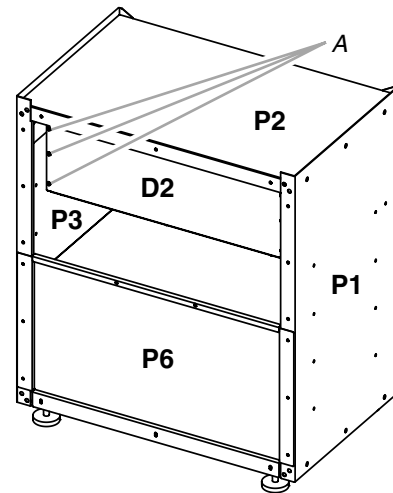
- Position the drawer sides so that the glides are at the top and facing the outside.
 - Do not fully tighten the six screws attaching the drawer back to the sides.
1. Using three Phillips-head screws (F7), attach the side (D1) to the back (D2) as shown.
NOTE: Working from the back, insert the screws through the drawer back and then into the drawer side.
 2. Using three Phillips-head screws (F7), attach side (D3) to the back (D2) as shown.
NOTE: Working from the back, insert the screws through the drawer back and then into the drawer side.
 3. Working from the top, set the drawer bottom (D4) down onto the back and side flanges as shown.
 4. Working from the bottom, insert screws through the drawer back and sides and then into the drawer bottom.
NOTE: Wait until the drawer front is in place before inserting the screws that attach the drawer bottom to the front.



5. Using nine Phillips-head screws (F7), attach the drawer front (D5) to the bottom and sides.



6. Align the glides on the drawer with the slides on the inside of the cabinet. Insert the drawer glides into the slides and push the drawer into the cabinet.
NOTE: If the drawer glide is not correctly aligned with the cabinet slide, the drawer may become lodged in the cabinet. Press up or down on the levers located on both drawer glides to release the drawer.
7. Once the drawer is in place, work from the rear to completely tighten the six screws attaching the drawer back.



Attach Upper Back Panel

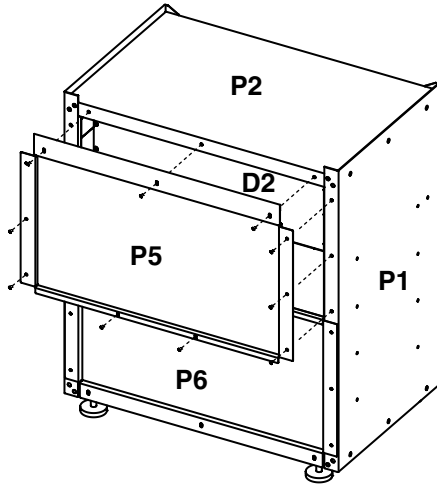


F3

F3 Phillips-head screw (11- black)

1. Align back panel (P5) with the holes in the top (P2). Using nine Phillips-head screws (F3), attach back panel (P5) to the top (P2) and sides (P1 and P3) as shown. Do not tighten screws completely.
NOTE: Back panel (P5) will slightly overlap back panel (P6)
2. Using two Phillips-head screws (F3), attach the upper back panel (P5) to the lower back panel (P6) as shown.

3. Completely tighten all back panel screws starting with the sides and continuing with the top, middle, and bottom.



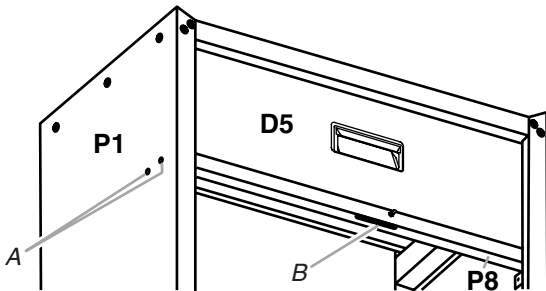
Install Door Latch Bar



F3 Phillips-head screw (4 - black)
F5 Door catch pin (1)
F6 Star nut (1)

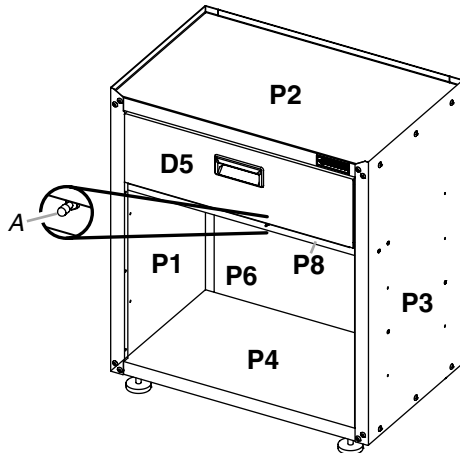
IMPORTANT: So the doors will close and lock, the latch bar (P8) must be installed using the indicated pair of holes on each cabinet side.

1. Align the latch bar with the pair of holes shown.
NOTE: Make sure the slot in the latch bar is facing down.
2. Using two Phillips-head screws (F3) per side, fasten the latch bar (P8) to the cabinet sides (P1 and P3).



A. Holes for installing latch bar
 B. Slot in latch bar

3. Insert the door catch pin (F5) into the hole in the front edge of the latch bar (P8) and fasten it with the star nut (F6).



A. Door catch pin and star nut

Install Shelf



F3 Phillips-head screw (4-black)
F4 Small flange nut (4)

IMPORTANT: The shelf may be installed using any of the lower sets of holes in the cabinet sides.

1. Place the shelf (P9) so that the holes in the ends are aligned with the desired set of holes in the cabinet sides (P1 and P3).
2. Using two Phillips-head screws (F3) and two small flange nuts (F4) per side, fasten the shelf to the cabinet sides (P1 and P3).

Install Doors

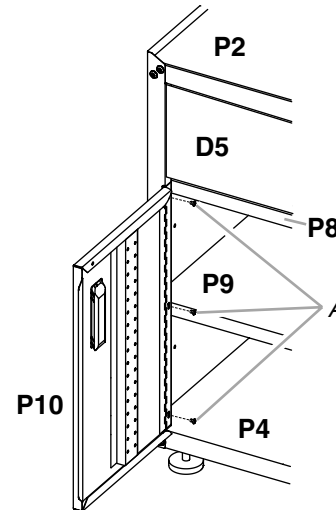


F3

F3 Phillips-head screw (6-black)

IMPORTANT: The door with the lock assembly (P11) should be installed on the right-hand side of the cabinet.

1. Align three holes in the left-hand door hinge (P10) with the three holes in the left-hand side.
NOTE: There are two holes in the middle of the door hinge. Align the top and bottom holes first. Only one of the middle holes will align.
2. Using three Phillips-head screws (F3), starting with the center hole, attach the door (P10) to the side (P1) as shown. Do not tighten completely.



A. Location for Phillips-head screws

3. Repeat Steps 1 and 2 to attach the right-hand door (P11) to the side (P3).
4. Align the doors and completely tighten the screws.

Complete the Assembly

1. Move the cabinet to its final location.
2. Place a level on the inside shelf, and if necessary, level the cabinet by adjusting the height of the leveling legs (P7). Turn to the left to raise or to the right to lower the leveling leg.
3. If the doors are not aligned, loosen all the screws attaching the door hinge to the cabinet.
4. Adjust door to the desired height, and fully tighten the screws.

ACCESSORIES

To order accessories, call **1-866-342-4089** and ask for the accessory part number listed below or contact your authorized Gladiator® dealer. In Canada, call **1-800-807-6777**.

Caster Kit
Order Part # GACK04KDSX00
VersaTop™ Work Surface
Order Part # GAVT18SPSX00

GLADIATOR® GARAGEWORKS STEEL MODULAR GEARBOX CABINET WARRANTY

TEN YEAR LIMITED WARRANTY

For ten years from the date of purchase, when the Steel Modular GearBox Cabinet is used and maintained according to the instructions attached to or furnished with the product, Gladiator® GarageWorks will pay for replacement or repair of the defective product or parts to correct defects in materials or workmanship.

Gladiator® GarageWorks will not pay for:

1. Service calls to correct the installation of any Gladiator® GarageWorks products or to instruct you on how to use or install them.
2. Damage resulting from improper handling or shipping of products, or products damaged by accident, misuse, abuse, fire, flood, improper installation, acts of God, neglect, corrosion, modification or mishandling.
3. Shipping or freight fees to deliver replacement products or to return defective products.
4. Repairs or replacement when your product is used in other than normal, single-family household use, such as a commercial environment or handled in any way inconsistent with the installation instructions included with the product.
5. Cosmetic damage including scratches, dings, dents or cracks that do not affect the structural or functional capability of the product.
6. Replacement parts or product for Gladiator® GarageWorks products operated outside the United States or Canada.
7. In Canada, travel or transportation expenses for customers who reside in remote areas.
8. Any labor costs during the limited warranty period.
9. Damage resulting from improper loading beyond the specified maximum weight capacity outlined in the assembly instructions provided with the product, including overloading of hooks, baskets, shelves, cabinets, and other Gladiator® GarageWorks accessories used with the product.
10. Surfaces damaged due to chemical interaction resulting in corrosion of paint or metal.
11. Replacement keys or locking mechanism.
12. Loss of product contents due to theft, fire, flood, accident or acts of God.

DISCLAIMER OF IMPLIED WARRANTIES; LIMITATION OF REMEDIES

IMPLIED WARRANTIES, INCLUDING TO THE EXTENT APPLICABLE WARRANTIES OF MERCHANTABILITY OR FITNESS FOR A PARTICULAR PURPOSE, ARE EXCLUDED TO THE EXTENT LEGALLY PERMISSIBLE. ANY IMPLIED WARRANTIES THAT MAY BE IMPOSED BY LAW ARE LIMITED TO ONE YEAR, OR THE SHORTEST PERIOD ALLOWED BY LAW. SOME STATES AND PROVINCES DO NOT ALLOW LIMITATIONS OR EXCLUSIONS ON HOW LONG AN IMPLIED WARRANTY OF MERCHANTABILITY OR FITNESS LASTS, SO THE ABOVE LIMITATIONS OR EXCLUSIONS MAY NOT APPLY TO YOU. THIS WARRANTY GIVES YOU SPECIFIC LEGAL RIGHTS, AND YOU MAY ALSO HAVE OTHER RIGHTS WHICH VARY FROM STATE TO STATE OR PROVINCE TO PROVINCE.

Outside the 50 United States and Canada, this warranty does not apply. Contact your authorized Gladiator® GarageWorks dealer to determine if another warranty applies.

If you need service, call the Gladiator® GarageWorks Customer eXperience Center, **1-866-342-4089** (toll-free), from anywhere in the U.S.A. In Canada, contact your Whirlpool Canada LP designated service company or call **1-800-807-6777**.

In the United States, Gladiator® GarageWorks means Whirlpool Corporation, Benton Harbor, Michigan 49022. In Canada, Gladiator® GarageWorks means Whirlpool Canada LP, Mississauga, ON L5N 3A7. 11/05

Keep this book and your sales slip together for future reference. You must provide proof of purchase or installation date for in-warranty service.

Write down the following information about your Steel Modular GearBox Cabinet to better help you obtain assistance or service if you ever need it. You will need to know your complete model number and serial number. You can find this information on the model and serial label located on the back of the product.

Dealer name _____

Address _____

Phone number _____

Model number _____

Serial number _____

Purchase date _____

2254086

© 2006 Whirlpool Corporation.
All rights reserved.

© Registered Trademark/TM Trademark of Whirlpool, U.S.A.

3/06
Printed in China